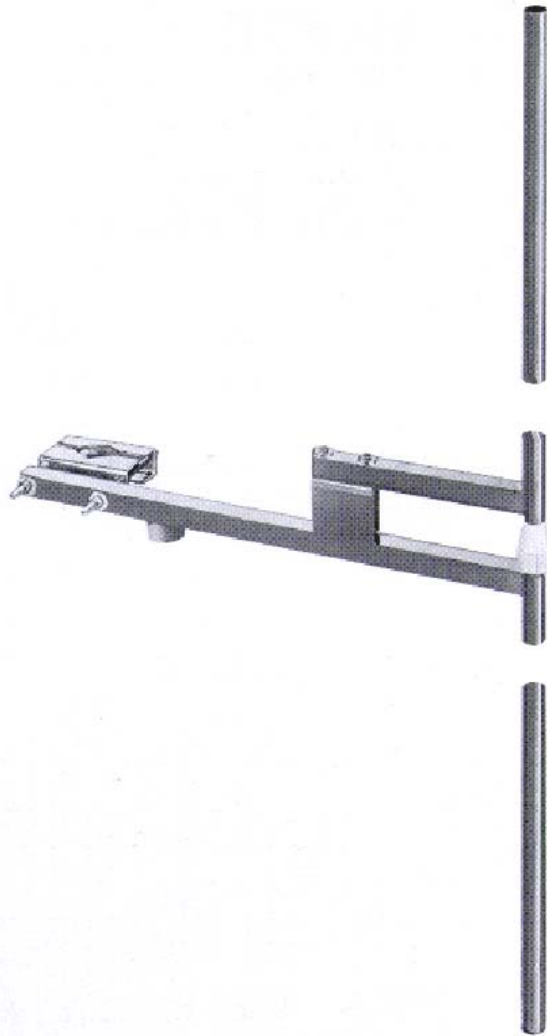


**Low Power**

**Broadband  
FM Dipole  
Dipolo de FM  
Banda Ancha**



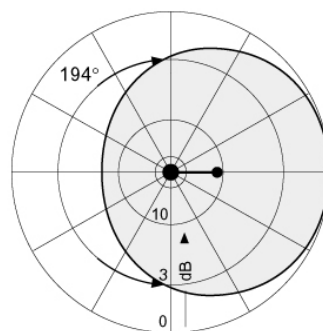
This antenna can be easily installed because of its lightness. Electrically grounded it gives excellent protection against lightning. Combined in arrays of more elements this dipole offers high gain over a wide angle.

Esta antena puede ser facilmente armada debido a su ligereza. Es conectada por tierra lo cual ofrece óptima protección contra relámpagos. Combinada de arrays de varios elementos este dipolo puede ofrecer buena ganancia a través de un amplio ángulo.

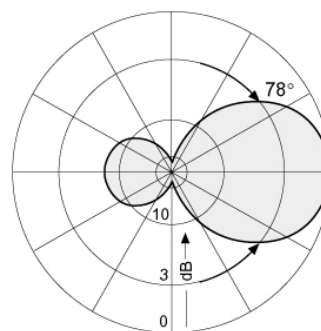
### TECHNICAL SPECIFICATIONS

Antenna type	dipole	Front-to-back ratio	7 dB
Frequency range	87.5 - 108 MHz	Lightning protection	all parts grounded
Bandwidth	20 MHz	Max wind velocity	119 mph (190 km/h)
Impedance	50 Ohms	Wind load	39.6 Lbs (18 kg)
Connectors	N type	Wind surface	1.2 ft <sup>2</sup> (0.11 m <sup>2</sup> )
Power rating	500 Watts max.	Materials (external)	anti-corrosive aluminum
VSWR	< 1.3	Mounting	from 2" to 4"
Polarization	vertical	Weight	8.8 Lbs (4 kg)
Gain	0 dBd (unity gain)	Dimensions	55"×33"×2" (1400×850×60 mm)
H plane	194 degrees	Packing	59"×36"×4" (1500×900×100 mm)
V plane	78 degrees		

### Radiation Patterns (at mid-band)



in H-plane  
Horizontal Radiation Pattern



in E-plane  
Vertical Radiation Pattern