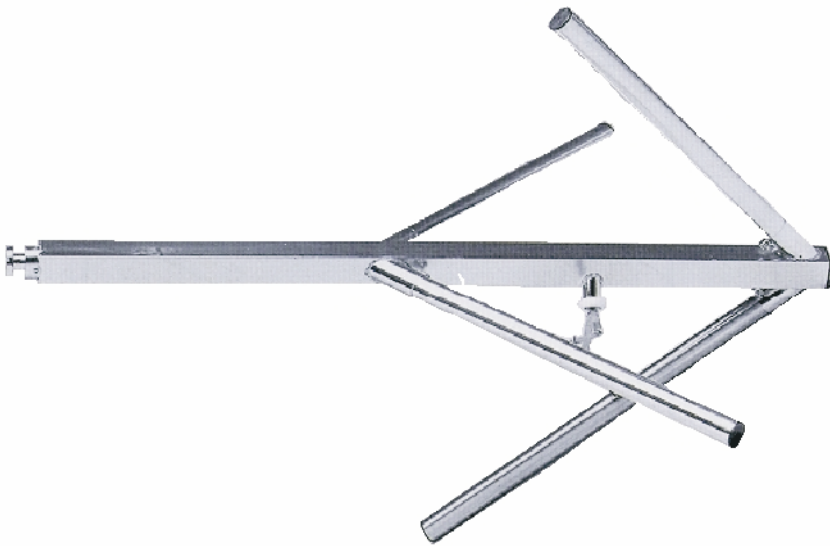


**NiCOM**  
**BKG77/HP**  
**High Power**

**Broadband**  
**FM Circular**  
**Polarization Antenna**  
**Antena de**  
**FM Banda Ancha**  
**Polarización Circular**



This antenna constructed completely of stainless steel, offers circular polarization for better coverage especially in urban areas. In order to facilitate and decrease shipping costs, this model is simple to break down and reassemble when ready to be installed. It is insulated with teflon, has a 7/8 connector and maximum input of 5 kw.

Esta antena, fabricada completamente de acero inoxidable, le ofrece la polarización circular para mejor alcance, especialmente en zonas urbanas. Para facilitar y disminuir los costos de transportación este modelo es fácil de desarmar y volver a montar tan pronto que la quiera instalar. Está aislada con teflón, tiene un conector de 7/8" y una entrada máxima de 5 kw.

**TECHNICAL SPECIFICATIONS**

<b>Antenna type</b>	circular polarization dipole	<b>Front-to-back ratio</b>	3 dB
<b>Frequency range</b>	87.5 - 108 MHz	<b>Lightening protection</b>	all parts grounded
<b>Bandwidth</b>	16 MHz	<b>Max wind velocity</b>	119 mph (190 km/h)
<b>Impedance</b>	50 ohms	<b>Wind load</b>	74 Lbs (34 kg)
<b>Connectors</b>	EIA 7/8	<b>Wind surface</b>	1.9 ft <sup>2</sup> (0.18 m <sup>2</sup> )
<b>Power rating</b>	5000 Watts max	<b>Materials (external)</b>	stainless steel
<b>VSWR</b>	< 1.3	<b>Mounting</b>	from 2" to 4"
<b>Polarization</b>	vertical and horizontal	<b>Weight</b>	26.4 Lbs (12 kg)
<b>Gain</b>	-1.5 dB (referred to half-wave dipole)	<b>Dimensions</b>	58"×32"×32" (1450×800×800mm)
<b>H plane</b>	omnidirectional ±1.5 dB (with a 4" mast)	<b>Packing</b>	72"×8"×8" (1500×203×203mm)
<b>V plane</b>	omnidirectional ±3 dB (with a 4" mast)		

