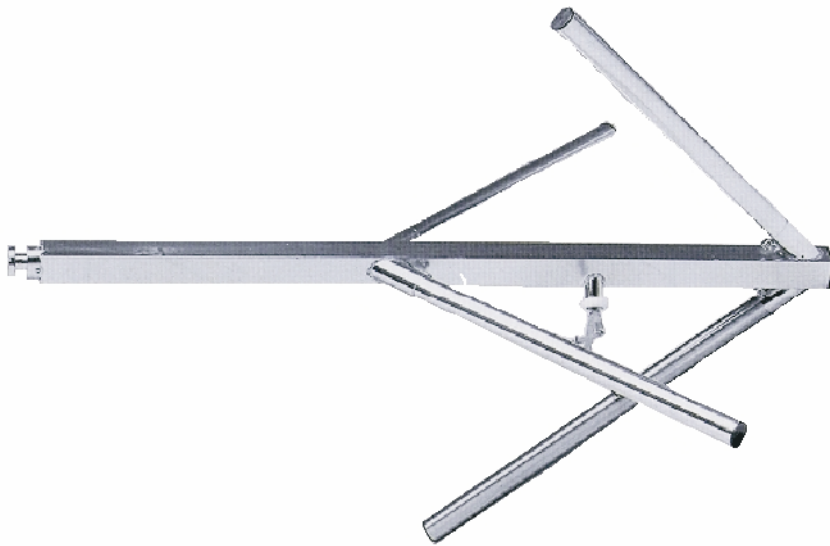


Medium Power

Broadband FM Circular Polarization Antenna Antena de FM Banda Ancha Polarizacion Circular



This antenna, constructed completely of stainless steel, offers circular polarization for better coverage especially in urban areas. In order to facilitate and decrease shipping costs, this model is simple to break down and reassemble when ready to be installed. It is insulated with Teflon, and with the appropriate connector has a maximum input of 2 kw.

Esta antena, fabricada completamente de acero inoxidable, le ofrece polarización circular para mejor alcance, especialmente en zonas urbanas. Para facilitar y desminuir los costos de transportación, este modelo es fácil de desarmar y volver a montar tan pronto que la quiera instalar. Está aislada con Teflon, y con el conector apropiado tiene una entrada máxima de 2 kw.



TECHNICAL SPECIFICATIONS

Antenna type	circular polarization dipole
Frequency range	87.5 - 108 MHz
Bandwidth	16 MHz
Impedance	50 ohms
Connectors	N type (1 kw) - 7/8 type (2 kw)
Power rating	2000 Watts max
VSWR	< 1.3
Polarization	vertical and horizontal
Gain	- 3 dBd (referred to half-wave dipole)
H plane	omnidirectional ± 1.5 dB (with a 4" mast)
V plane	omnidirectional ± 3 dB (with a 4" mast)

Front-to-back ratio	3 dB
Lightening protection	all parts grounded
Max wind velocity	119 mph (190 km/h)
Wind load	53 Lbs (24 kg)
Wind surface	1.1 ft ² (0.10 m ²)
Materials (external)	stainless steel
Mounting	from 2" to 4"
Weight	23.1 Lbs (10.5 kg)
Dimensions	58"×32"×32" (1450×800×800mm)
Packing	72"×6"×6" (1500×152×152mm)

