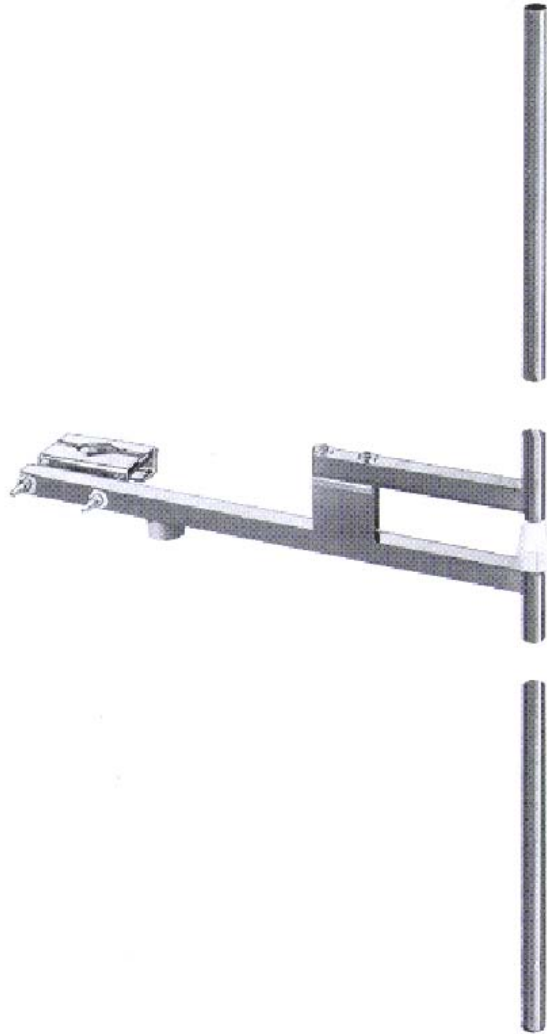


Medium Power

Portable Broadband FM Dipole Dipolo Portátil de FM Banda Ancha



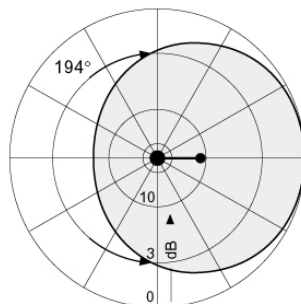
This broadband dipole antenna constructed of stainless steel is designed to last a long time in any weather condition. Because of its sturdy construction it can support up to 2 kw of input power with the appropriate connector. Since it has a wide angle of radiation it is strongly recommended for omnidirectional arrays. Due to the fact that it is easily disassembled and reassembled, it can be placed in a compact container making it very portable and inexpensive to ship.

Esta antena dipolo de banda ancha, fabricada de acero inoxidable fue concebida para ser duradera en cualquier condición de clima. Debido a su robusta construcción puede soportar hasta 2 kw de potencia de entrada con el conector apropiado. Esta antena es recomendada para formaciones omnidireccionales ya que tiene un gran ángulo de irradiación. Dado al hecho que es fácil de armar y desarmar esta antena puede ser enviada en un contenedor muy compacto haciéndola portátil y económica para envíos.

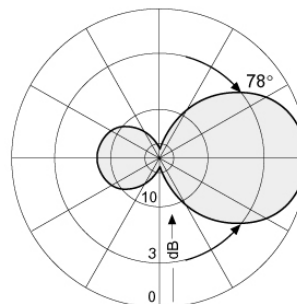
TECHNICAL SPECIFICATIONS

Antenna type	dipole	Front-to-back ratio	7 dB
Frequency range	87.5 - 108 MHz	Lightning protection	all parts grounded
Bandwidth	20 MHz	Max wind velocity	119 mph (190 km/h)
Impedance	50 Ohms	Wind load	39.6 Lbs (18 kg)
Connectors	N type (1 kw) - 7/8 type (2 kw)	Wind surface	1.2 ft ² (0.11 m ²)
Power rating	2000 Watts max.	Materials (external)	stainless steel
VSWR	< 1.3	Mounting	from 2" to 4"
Polarization	vertical	Weight	13 Lbs (6 kg)
Gain	0 dBd (unity gain)	Dimensions	55"×33"×2" (1400×850×60mm)
H plane	194 degrees	Packing	59"×16"×4" (1500×400×100mm)
V plane	78 degrees		

Radiation Patterns (at mid-band)



in H-plane
Horizontal Radiation Pattern



in E-plane
Vertical Radiation Pattern